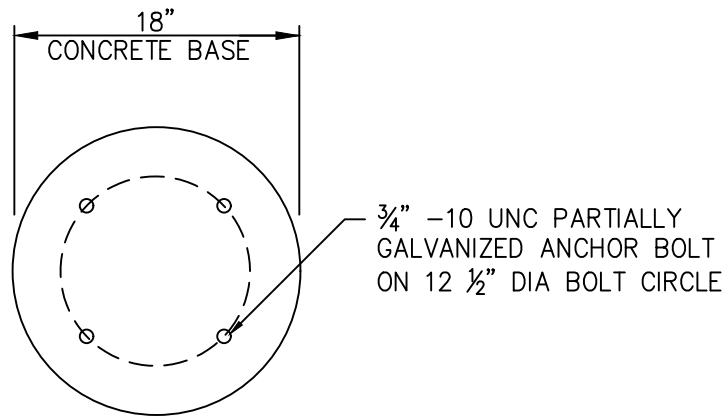


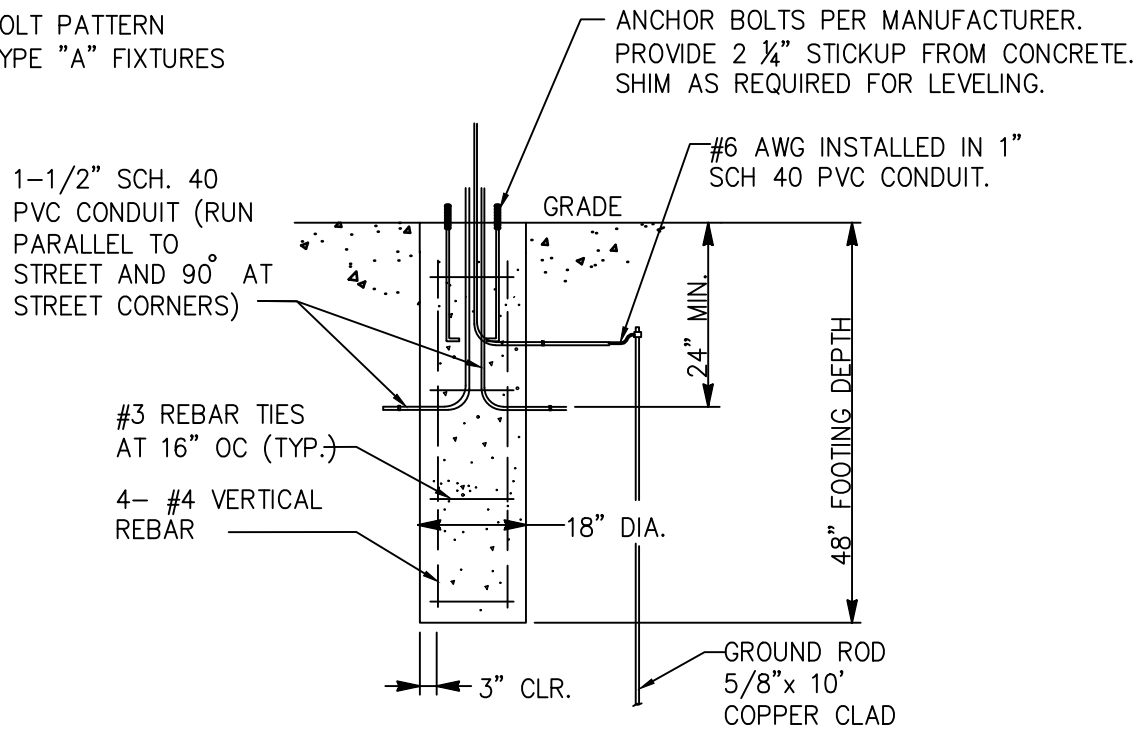
NOTES:

1. FACTORY PREWIRED TO UTILITY VOLTAGE REQUIREMENT. VERIFY WITH DMU.
 2. MID BLOCK ONLY IF BLOCK LENGTH IS GREATER THAN 400 FEET.
 3. LIGHTS SHALL ALSO BE PLACED AT ENDS OF CUL-DE-SACS IF CUL-DE-SAC LENGTH EXCEEDS 250 FEET.
 4. LIGHTS SHALL BE PLACED ON THE SIDE OF THE STREET WITH SIDEWALK.
- THE ABOVE LAYOUT IS FOR A TYPICAL RESIDENTIAL STREET. OTHER STREET TYPES (e.g. PARKWAYS) MAY HAVE DIFFERENT LIGHTING REQUIREMENTS. VERIFY WITH CITY ENGINEER.

						CLIENT		PROJECT STANDARD PLATES			
								SHEET TITLE RESIDENTIAL STREET LIGHTING FIXTURE SCHEDULE & PLAN			
REV	DWN	APP	REV DATE	DWN BY	CHK'D	APP'D	DWG DATE	FEB 2015	PROJECT NO.	SHEET NO.	REV NO.
				SKH			SCALE		0564-100	ELEC-1	



BOLT PATTERN FOR TYPE "A" FIXTURES



NOTE:

1. LAMP HEIGHT SHALL BE 16 FEET.
2. FORMING MATERIAL (SONOTUBE) SHALL BE REMOVED FROM THE TOP OF THE FOUNDATION TO SIX INCHES BELOW FINISHED GRADE AFTER CONCRETE HAS SET.
3. CONCRETE SHALL BE 4000 PSI (28 DAY) AND SHALL HAVE 6% AIR ENTRAINMENT.
4. VERIFY BOLT PATTERN WITH LIGHT MANUFACTURER.
5. CONTRACTOR SHALL TERMINATE CONDUCTORS IN THE BASE OF EACH POLE WITH FUSING. TERMINATIONS AND GROUNDING SHALL BE INSTALLED PER NEC. ALL CONDUITS SHALL BE CAPPED (BOTH ENDS) UNTIL CONDUCTORS, BASES AND POLES ARE INSTALLED.



CLIENT



PROJECT

STANDARD PLATES

SHEET TITLE

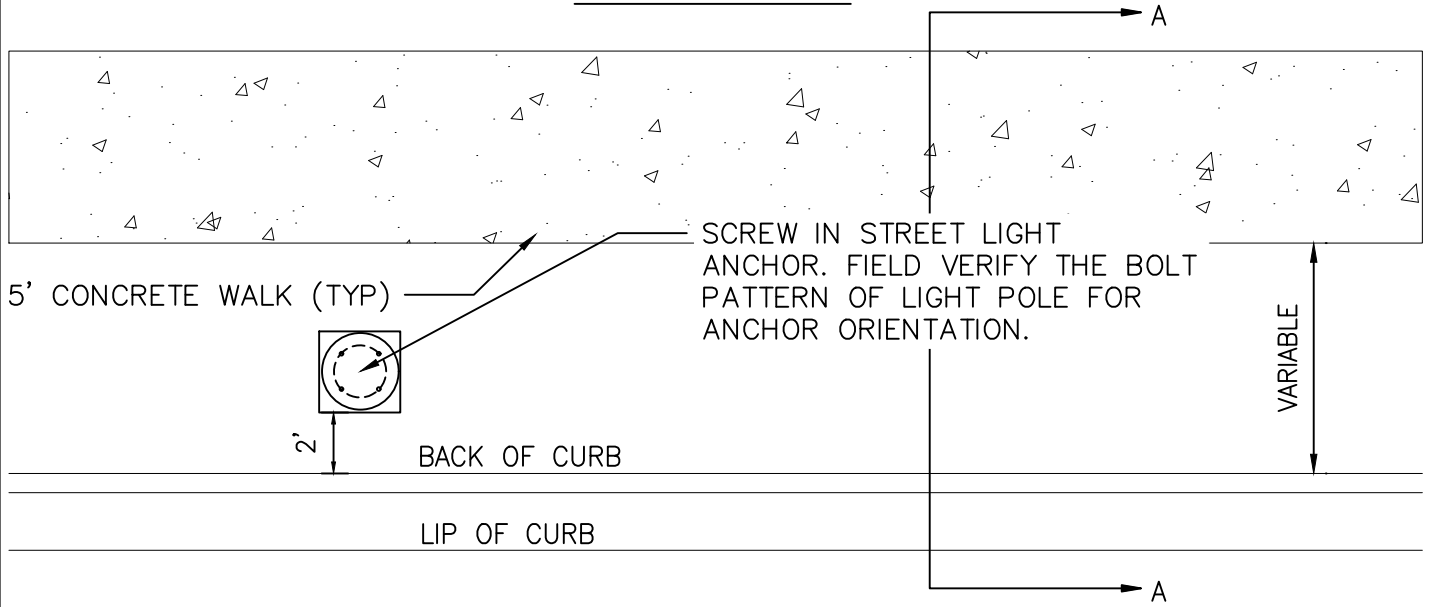
RESIDENTIAL STREET LIGHT BASE IN CONC. WALK

REV	DWN	APP	REV DATE	DWN BY	CHK'D
				NPW	

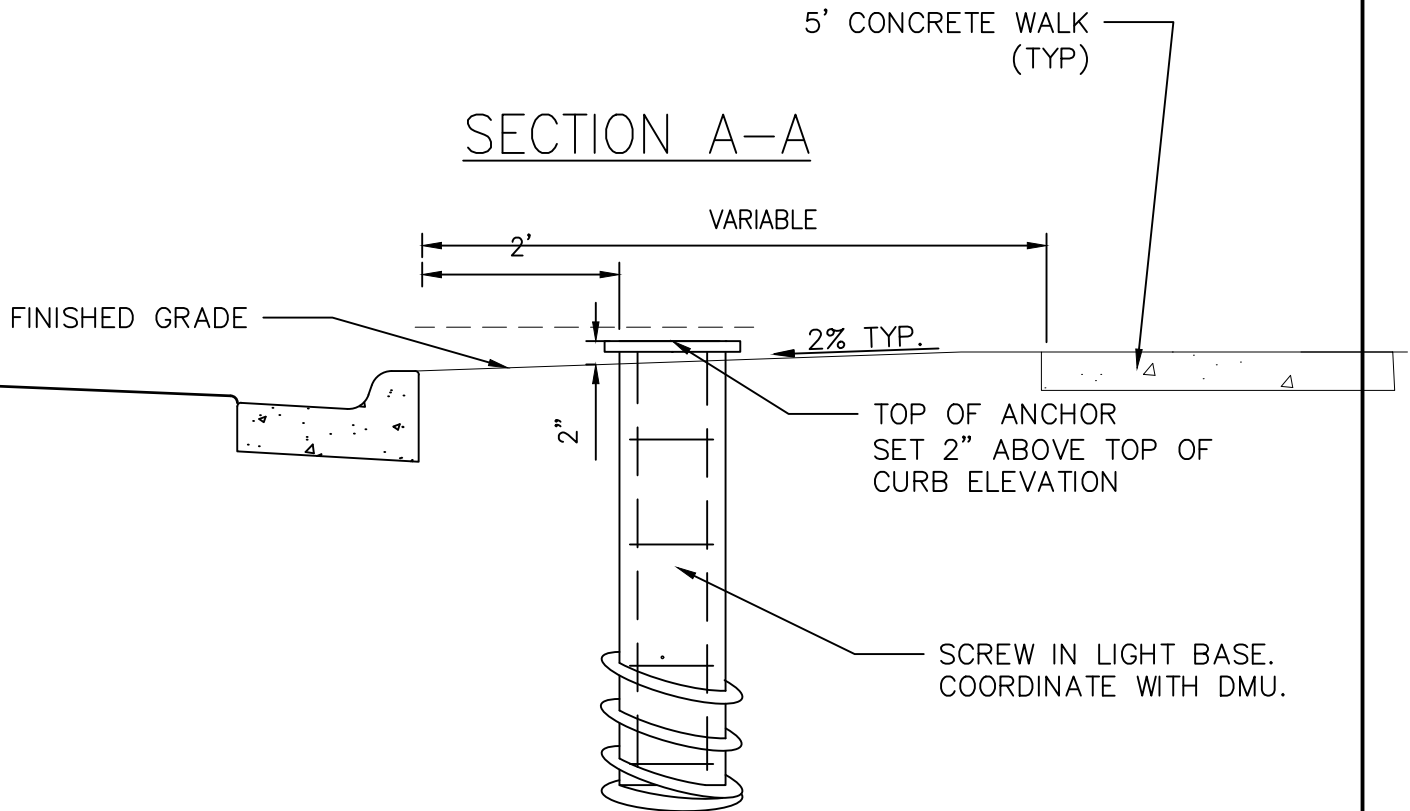
APP'D	DWG DATE	FEB 2017
	SCALE	

PROJECT NO.	SHEET NO.	REV NO.
0564-100	ELEC-2	

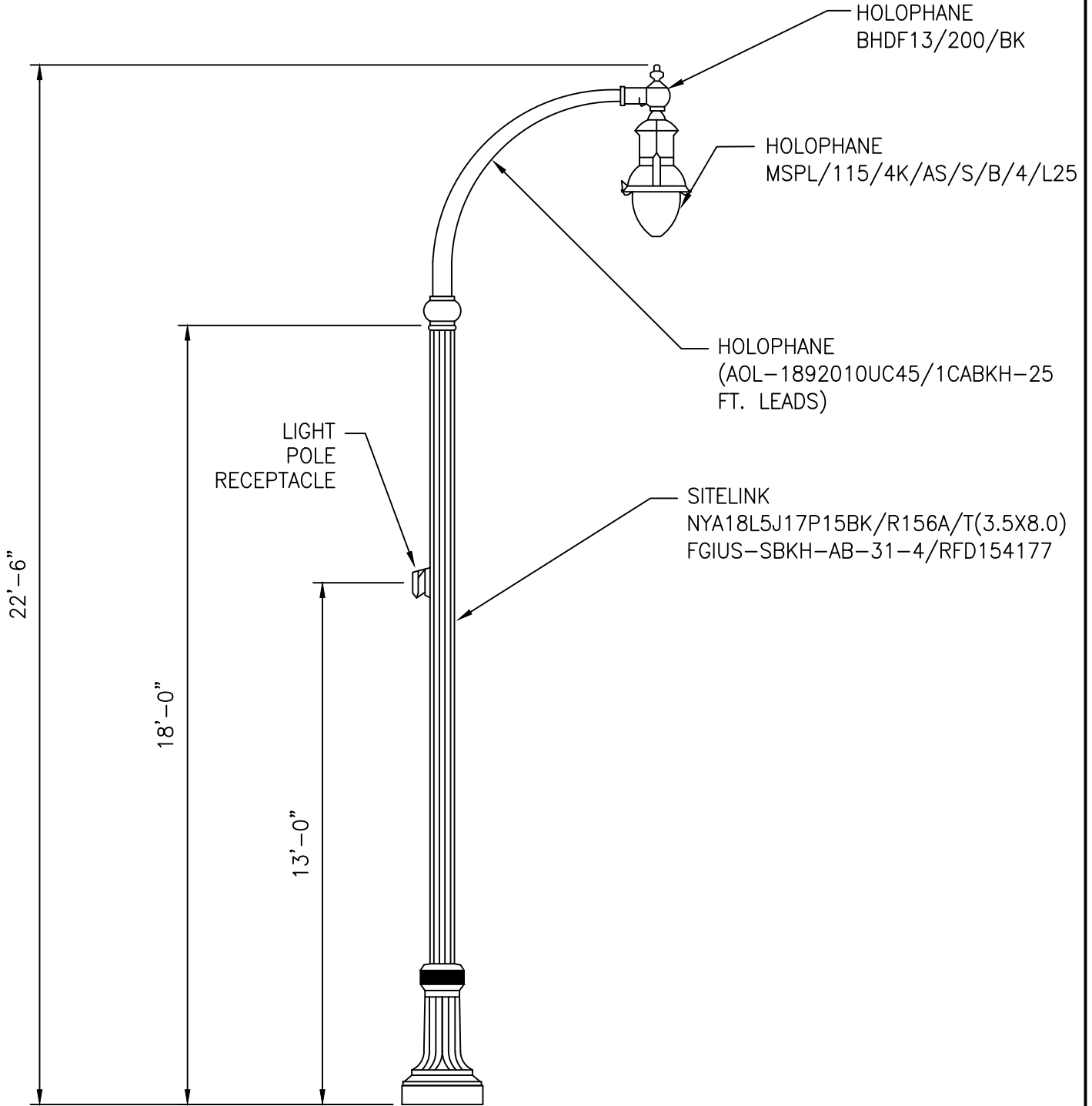
PLAN VIEW



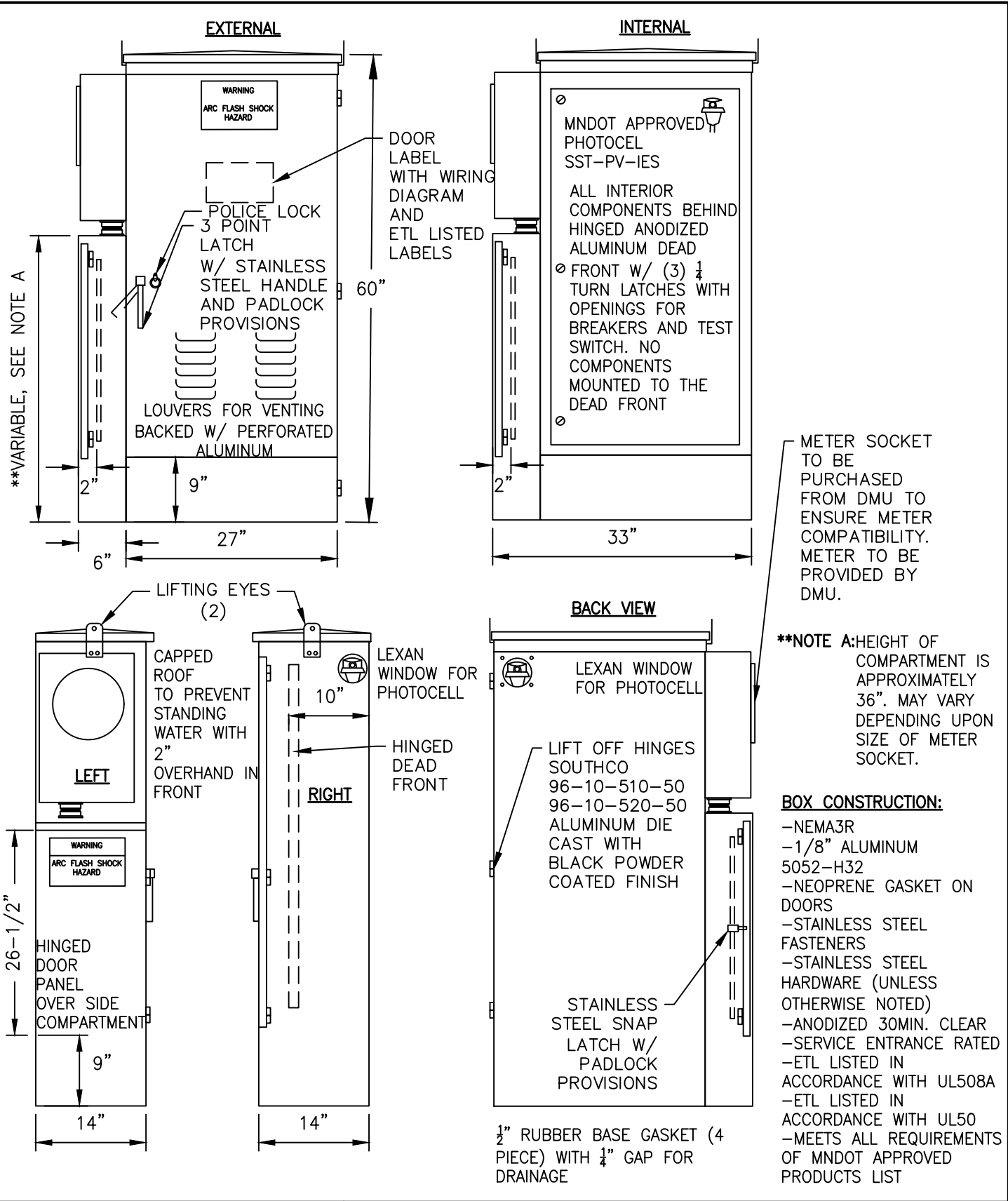
SECTION A-A



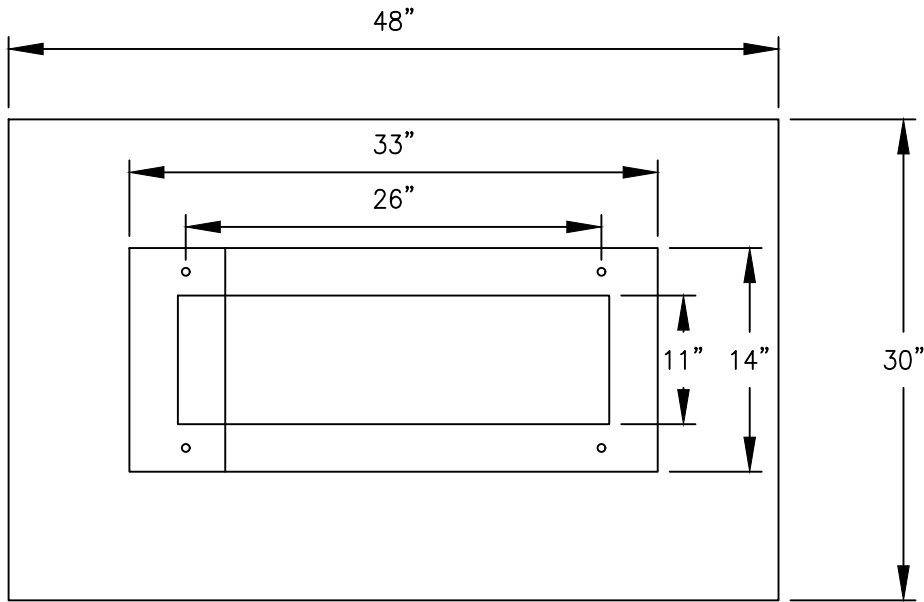
						CLIENT		PROJECT STANDARD PLATES			
								SHEET TITLE RESIDENTIAL STREET LIGHT BASE IN GREEN SPACE			
REV	DWN	APP	REV DATE	DWN BY	CHK'D	APP'D	DWG DATE	FEB 2017	PROJECT NO.	SHEET NO.	REV NO.
1	NMF	SDL	MAR 2021	NPW			SCALE		0564-100	ELEC-3	1



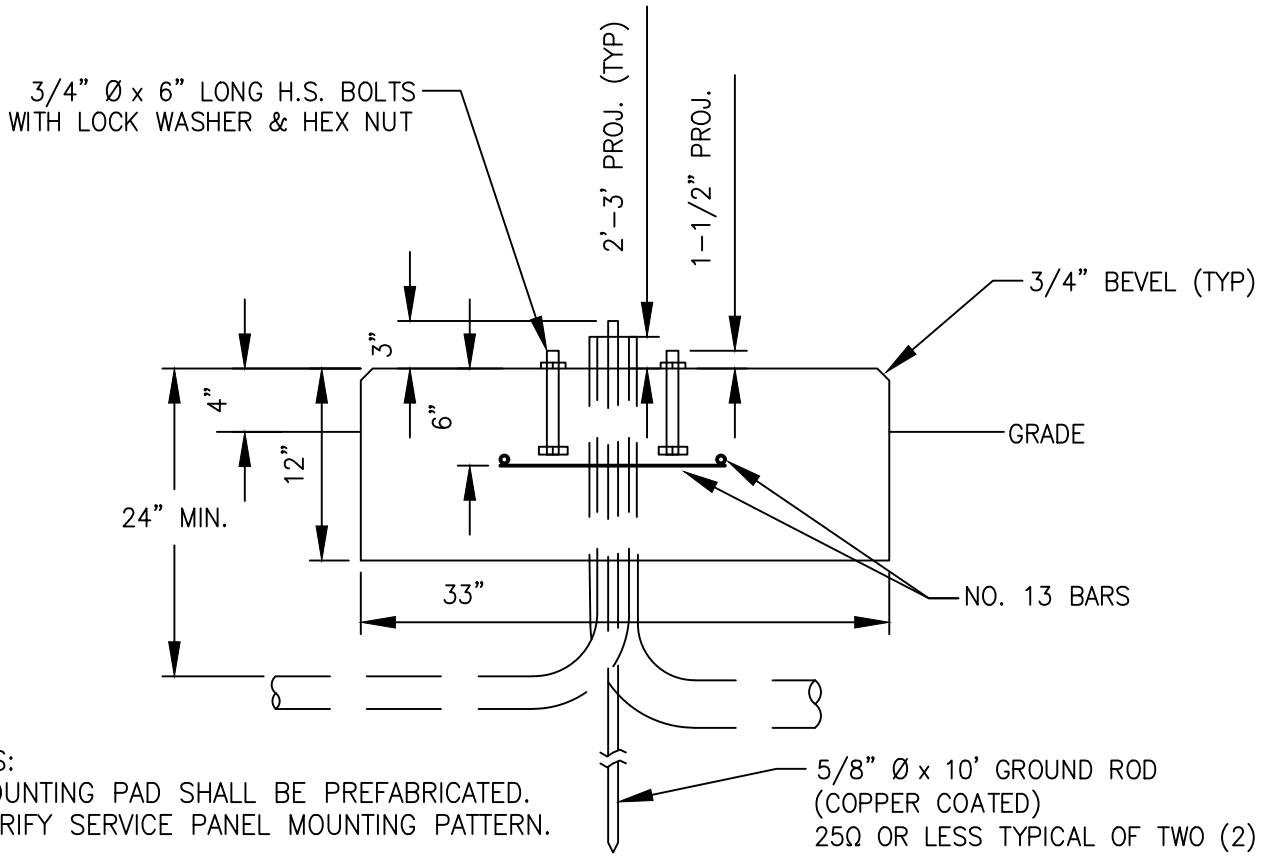
						CLIENT		PROJECT STANDARD PLATES			
								SHEET TITLE			
REV	DWN	APP	REV DATE	DWN BY	CHK'D	APP'D	DWG DATE	FEB 2017	PROJECT NO.	SHEET NO.	REV NO.
				NPW			SCALE		0564-100	ELEC-4	



			CLIENT 			PROJECT STANDARD PLATES					
						SHEET TITLE LIGHTING SERVICE PLANEL					
REV	DWN	APP	REV DATE	DWN BY	CHK'D	APP'D	DWG DATE	MAR 2017	PROJECT NO.	SHEET NO.	REV NO.
				EBH			SCALE		0564-100	ELEC-5	



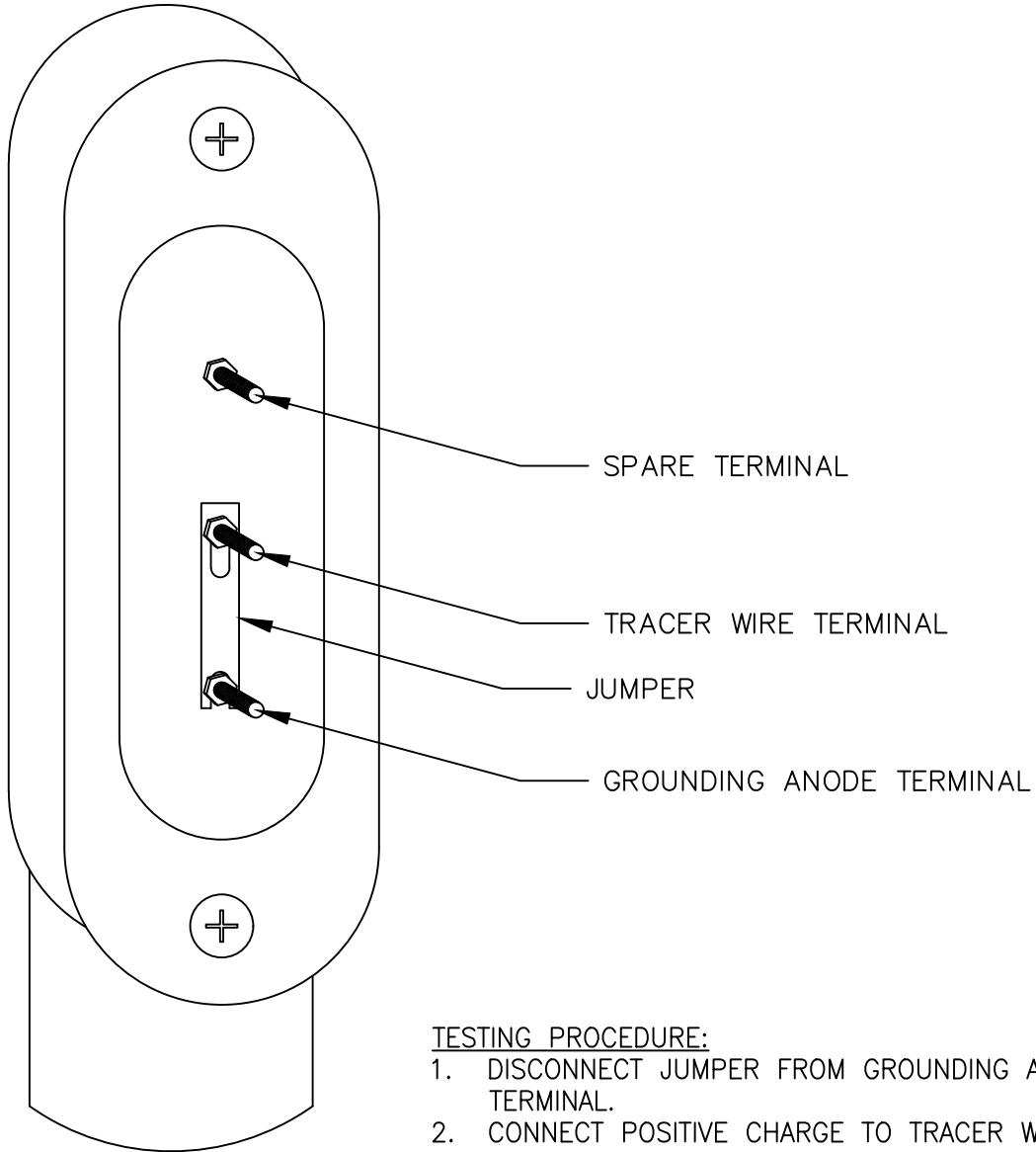
LIGHTING SERVICE PANEL MOUNTING PATTERN



NOTES:
 1. MOUNTING PAD SHALL BE PREFABRICATED.
 2. VERIFY SERVICE PANEL MOUNTING PATTERN.

MNDOT EQUIPMENT PAD B

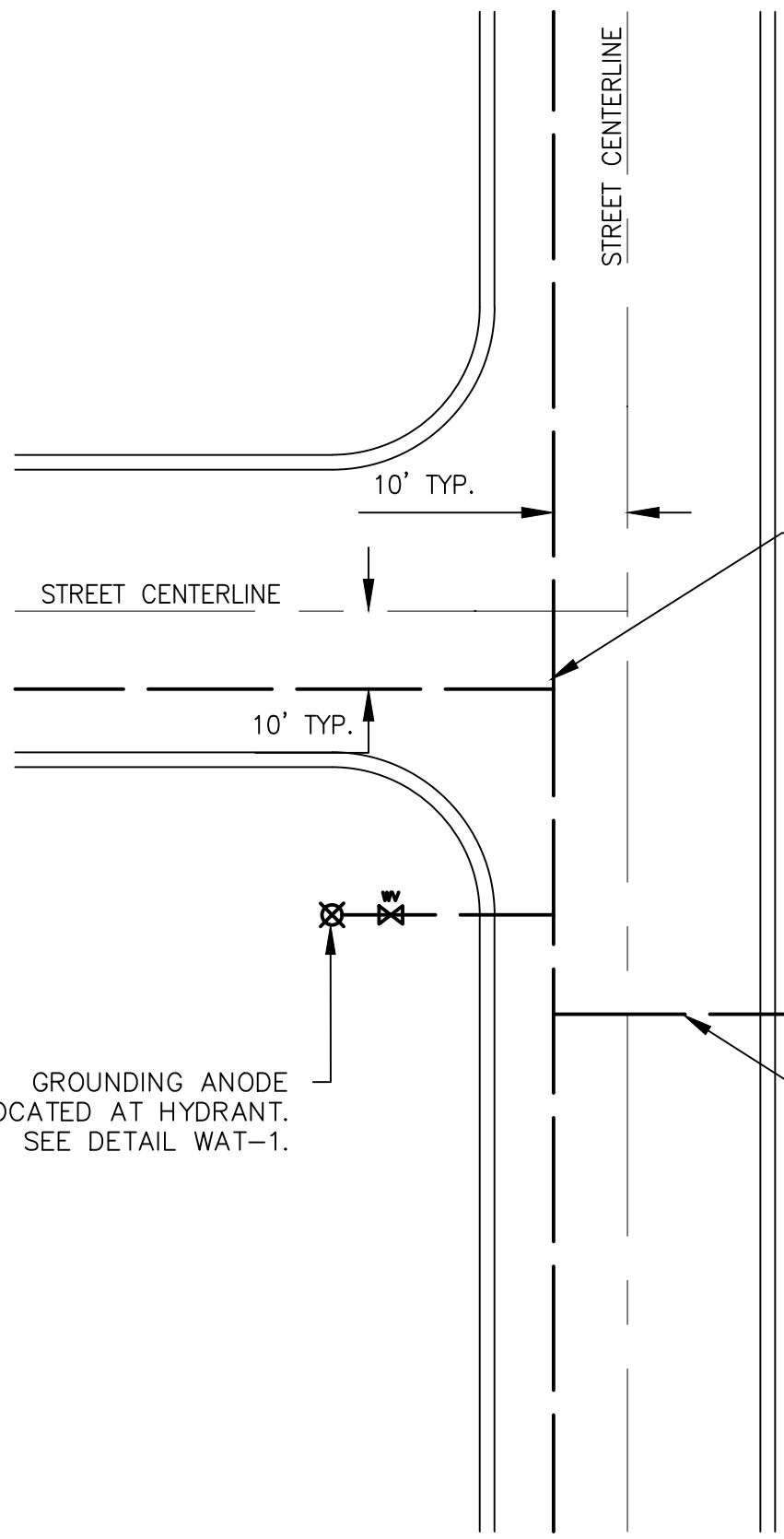
					CLIENT			PROJECT		
								STANDARD PLATES		
					SHEET TITLE			PROJECT NO.		
					LIGHTING SERVICE PANEL EQUIPMENT PAD			0564-100		
REV	DWN	APP	REV DATE	DWN BY	CHK'D	APP'D	DWG DATE	FEB 2017	SHEET NO.	REV NO.
				NPW			SCALE		ELEC-6	



TESTING PROCEDURE:

1. DISCONNECT JUMPER FROM GROUNDING ANODE TERMINAL.
2. CONNECT POSITIVE CHARGE TO TRACER WIRE TERMINAL, AND NEGATIVE CHARGE TO GROUNDING ANODE TERMINAL.
3. START TRACING WIRE. WHEN SIGNAL DROPS BELOW ACCEPTABLE RANGE, SET UP FROM A DIFFERENT LOCATION.
4. AFTER REMOVING EQUIPMENT FROM TERMINALS, CONNECT JUMPER TO GROUNDING ANODE TERMINAL.

						CLIENT		PROJECT STANDARD PLATES				
								SHEET TITLE COBRA T3 TEST STATION				
REV	DWN	APP	REV DATE	DWN BY	CHK'D			APP'D	DWG DATE	FEB 2017	PROJECT NO.	SHEET NO.
				NPW				SCALE		0564-100	ELEC-7	



GROUNDING ANODE LOCATED AT INTERSECTION.

GROUNDING ANODE LOCATED AT CURB BOX. SEE DETAIL WAT-5.

GROUNDING ANODE LOCATED AT HYDRANT. SEE DETAIL WAT-1.

WATER SERVICE.

NOTES

1. ANODE SHALL BE A MINIMUM 1 LB. DRIVE IN ANODE WITH A MINIMUM 20' WIRE LEAD
2. GROUNDING ANODES SHALL BE REQUIRED AT ALL INTERSECTIONS, DEAD ENDS, HYDRANTS, AND CURB STOPS.

						CLIENT		PROJECT STANDARD PLATES			
								SHEET TITLE		TYPICAL GROUNDING ANODE LAYOUT	
REV	DWN	APP	REV DATE	DWN BY	CHK'D	APP'D	DWG DATE	MAR 2017	PROJECT NO.	SHEET NO.	REV NO.
				EBH			SCALE		0564-100	ELEC-8	